

HEATING SYSTEMS 2013
SISTEMI DI RISCALDAMENTO 2013



INFRARED HEATER 778 AND 778C
RISCALDATORI A RAGGI INFRAROSSI 778 E 778C

NEW IDEAS FOR PROFESSIONAL USE
NUOVE IDEE PER I PROFESSIONISTI

OUTDOOR AND INDOOR INFRARED HEATERS

778 IDEAL FOR LARGER SURFACE WARMING

778 IDEALE PER RISCALDARE SUPERFICI AMPIE

Its heating rays are spread in all directions.

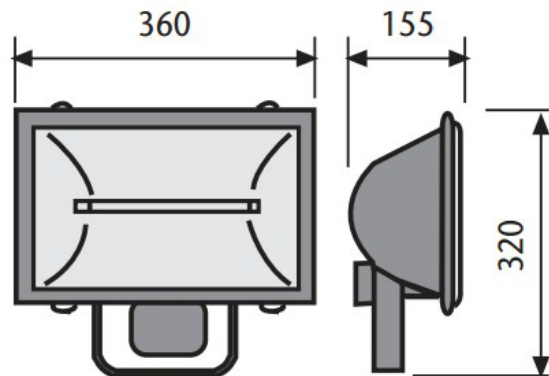
I suoi raggi riscaldanti sono indirizzati uniformemente su tutta la superficie frontale.

778C IDEAL FOR LONG DISTANCE WARMING

778C IDEALE PER RISCALDAMENTO IN LONTANANZA

Its heating rays are projected in the central focus in order to achieve a longer distance.

I raggi riscaldanti sono proiettati al centro in modo da raggiungere una maggiore distanza.



MOD 778 AND MOD 778C High Power infrared heater.

Mod. 778 e Mod. 778C Riscaldatori a Raggi Infrarossi per applicazioni professionali.

Die cast aluminum body.

Prodotto in Alluminio pressofuso.

1300 W Gold Coated IR-A Lamp.

Lampada IR-A rivestita con film sottile in oro.

95% reflective aluminum reflector with deep or wide focusing.

Parabola in alluminio riflettente (95%) con parabola a lungo o ampio raggio.

Tempered safety glass .

Vetro protettivo temperato.

IP65 water and dust protection.

IP65 protezione acqua e polvere.


Made in Italy

778 AND 778C have been tested in Italian chicken breedings.

778 e 778C sono stati testati per applicazioni in allevamenti avicoli italiani.

Safe and performant makes outdoor and professional warming safe and easy.

Sicuri e performanti rendono il riscaldamento professionale facile e sicuro.

HEATER GLASS FRONT	778	GLASS PROTECTION	LARGER SURFACE
Dimensions in mm:	360x155 x320		
Weight :	3,7 kg		
Lamp:	1300 W Sylvania Gold Coated IR-A Infrared Lamp		
Power Supply:	230-240V 50 Hz		
Lamp	R7s lamp cap		
Technology:	95% reflective aluminium reflector with wide focusing		
Material:	Die cast aluminium body Tempered safety glass Quality polyester powdercoat finish	Silicon gasket	
Water Protection:	IP65		
Certification	CE		
Made in:	ITALY		

HEATER GLASS FRONT	778C	GLASS PROTECTION	LONG DISTANCE WARMING
Dimensions in mm:	360x155 x320		
Weight :	3,7 kg		
Lamp:	1300 W Sylvania Gold Coated IR-A Infrared Lamp		
Power Supply:	230-240V 50 Hz		
Lamp	R7s lamp cap		
Technology:	95% reflective aluminium reflector with deep focusing		
Material:	Die cast aluminium body Tempered safety glass Quality polyester powdercoat finish	Silicon gasket	
Water Protection:	IP65		
Certification	CE		
Made in:	ITALY		



ITALY

MO-EL S.R.L. VIA L. GALVANI N°18, POSTAL CODE 42027,
MONTECCHIO EMILIA, RE. ITALIA
PH. 0039 0522 868011 - FAX 0039 0522 864223
E-MAIL: INFO@MO-EL.COM - WEB: WWW.MO-EL.COM



The manufacturer reserves the right to modify products' features without prior notice.
Technical data written in this leaflet are based on indicative parameters.